

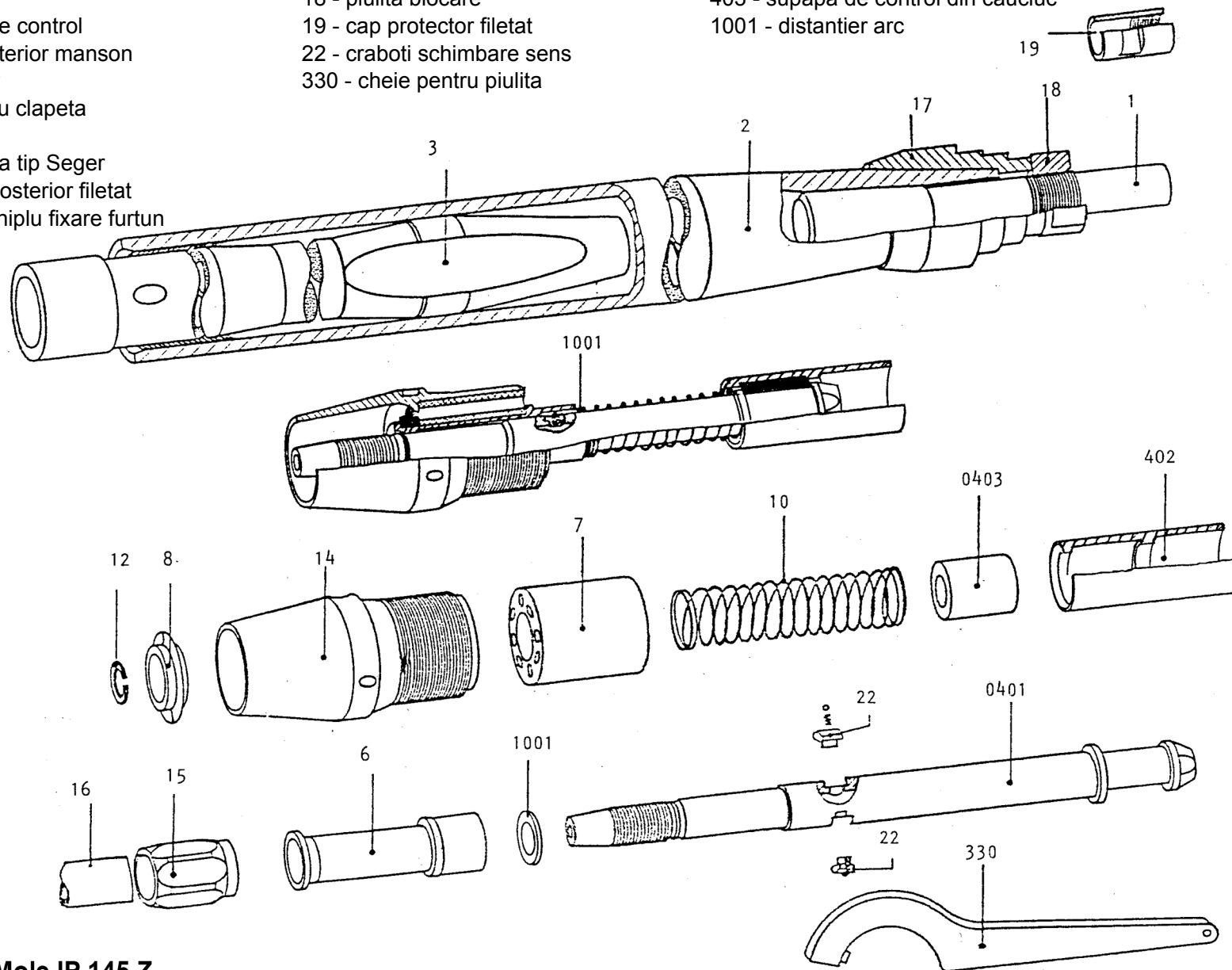
IP-Mole IP 145 Z

- 1 - varf de spargere filetat
- 2 - carcasa
- 3 - piston
- 4 - supapa de control
- 6 - suport exterior manson
- 7 - amortizor
- 8 - supapa cu clapeta
- 10 - arc
- 12 - siguranta tip Seger
- 14 - suport posterior filetat
- 15 - piulita / niplu fixare furtun

- 16 - furtun cu cuplaje
- 17 - cap taietor
- 18 - piulita blocare
- 19 - cap protector filetat
- 22 - craboti schimbare sens
- 330 - cheie pentru piulita

Racheta de subtraversare IP 145 Z

- 401 - tubul supapei de control
- 402 - manson de control
- 403 - supapa de control din cauciuc
- 1001 - distantier arc



Essig IP-Mole IP 145 Z

Made in Germany by Fa. H. Jürgen Essig, Industrielle Anlagen GmbH & Co. KG • Gänsekamp 35 • 32457 Porta-Westfalica • Fon - 49 - 5 71 - 7 20 90
Distributed in Romania by GEPETTO CONSULT Brasov, Tel. 0730 188 888, Fax 0268 / 477983, E-mail: info@gp2.ro, web www.gepetto-consult.ro