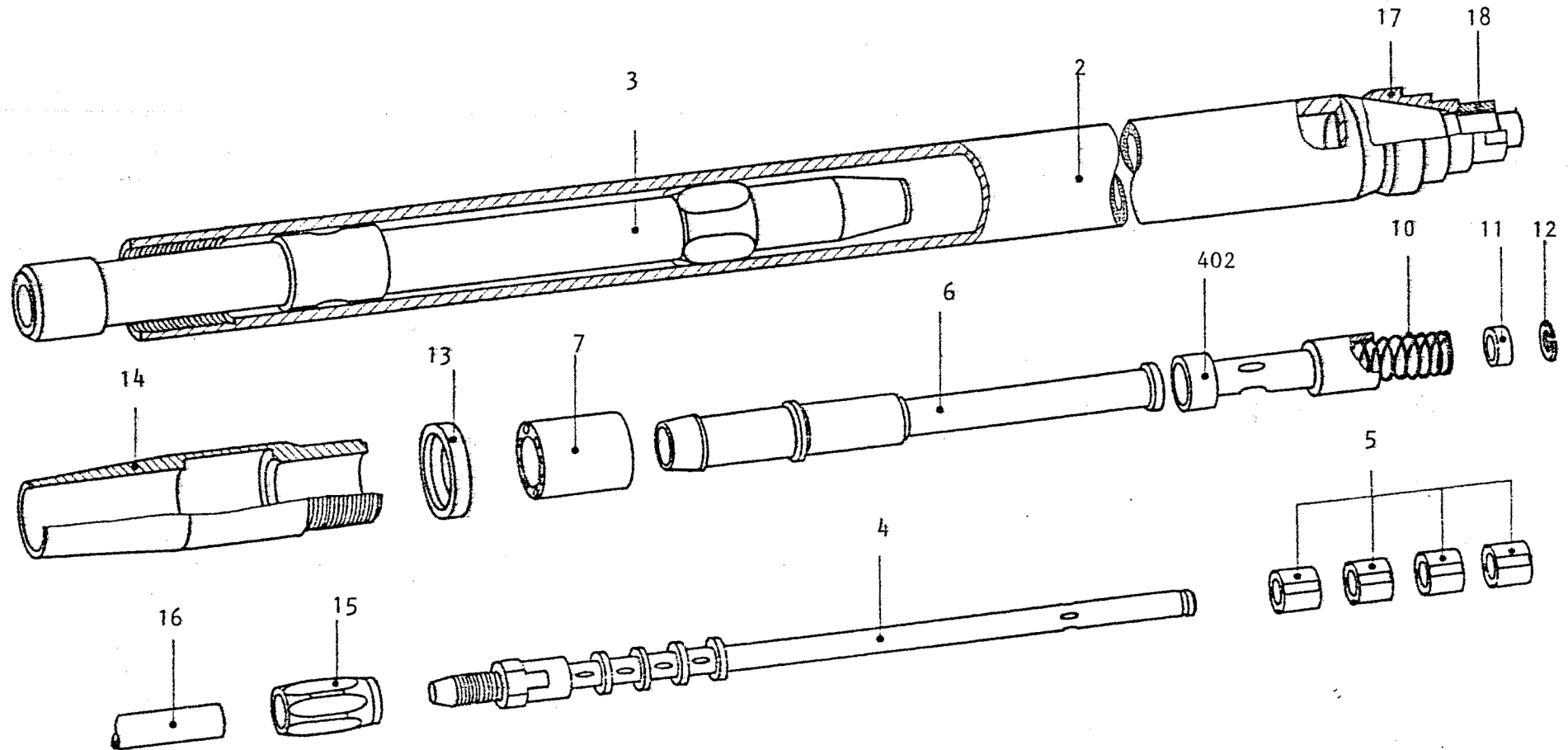


IP-Mole IP 45 Z

- 2 - carcasa
- 3 - piston
- 4 - supapa de control
- 5 - set inele supapa din cauciuc (4 buc.)
- 6 - suport exterior manson
- 7 - amortizor

- 10 - arc
- 11 - suport arc
- 12 - siguranta tip Seger
- 13 - inel distantier
- 14 - suport posterior filetat

- 15 - piulita / niplu fixare furtun
- 16 - furtun cu cuplaje
- 17 - cap taietor
- 18 - piulita blocare
- 402 - manson de control



Essig IP-Mole IP 45 Z

Made in Germany by Fa. H. Jürgen Essig, Industrielle Anlagen GmbH & Co. KG • Gänsekamp 35 • 32457 Porta-Westfalica • Fon - 49 - 5 71 - 7 20 90
Distributed in Romania by GEPETTO CONSULT Brasov, Tel. 0730 188 888, Fax 0268 / 477983, E-mail: info@gp2.ro, web www.gepetto-consult.ro