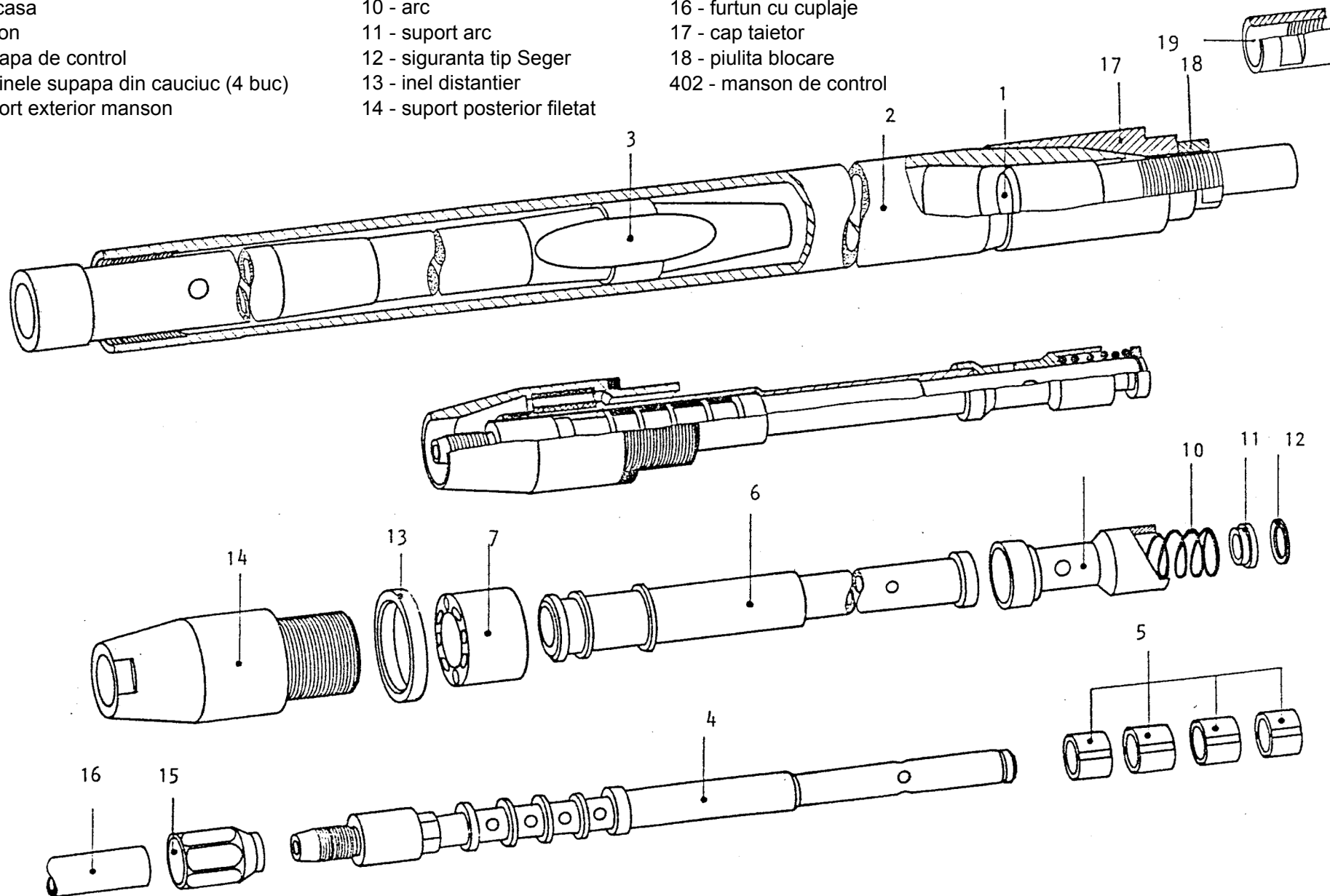


## IP-Mole IP 55 Z (threaded anvil)

- 1 - varf de spargere filetat
- 2 - carcasa
- 3 - piston
- 4 - supapa de control
- 5 - set inele supapa din cauciuc (4 buc)
- 6 - suport exterior manson

- 7 - amortizor
- 10 - arc
- 11 - suport arc
- 12 - siguranta tip Seger
- 13 - inel distantier
- 14 - suport posterior filetat

- 15 - Piulita / niplu fixare furtun
- 16 - furtun cu cuplaje
- 17 - cap taietor
- 18 - piulita blocare
- 402 - manson de control



## Racheta de subtraversare IP 55 Z

### Essig IP-Mole IP 55 Z (threaded anvil)

Made in Germany by Fa. H. Jürgen Essig, Industrielle Anlagen GmbH & Co. KG • Gänsekamp 35 • 32457 Porta-Westfalica • Fon - 49 - 5 71 - 7 20 90  
Distributed in Romania by GEPETTO CONSULT Brasov, Tel. 0730 188 888, Fax 0268 / 477983, E-mail: info@gp2.ro, web www.gpetto-consult.ro