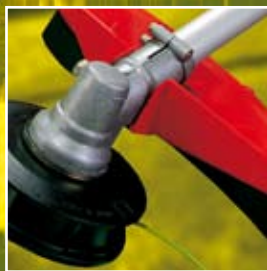




Whips trimmer heads.....	22
Whips trimmer heads.....	23
Whips trimmer heads.....	24
Whips trimmer head adaptor .....	24
Whips trimmer head SF25 .....	25
Tap-n-go trimmer head Ø109 mm .....	26
Tap-n-go trimmer head Ø130 mm .....	27
Tap-n-go trimmer head Ø130 mm .....	28
Tap-n-go trimmer head Ø160 mm .....	29
Manual head pro type.....	30
Manual head vera cut.....	31
Guide list for head adaptors .....	32
Round nylon line .....	35
Round nylon line.....	36
Square nylon line.....	37
Square nylon line.....	38
Pro-trim disks.....	39
Nylon blades.....	40
Steel blades.....	41
Steel blades.....	42
Steel blades.....	43
Ear muffs .....	44
Safety helmet.....	44
Metal net face shields.....	45
Polycarbonate face shields.....	46
Brushcutter shoulder straps.....	47
Blade guards .....	48
Blade supports.....	48
Plastic cans .....	49
Plastic cans .....	50
Funnel assy .....	50




## Packaging & Shipment

### Type of packaging

	Carton box
	Plastic clamshell / Blister
	Nylon bag

### Type of shipment and minimum q.ty per order

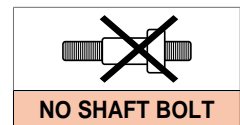
	Carton master shipper
---	-----------------------

## Whips trimmer head


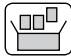


DESCRIPTION	P/N
NYLON / NYLON HEAD	5090901

► Trimmer head, universal mounting without adaptor, centering bore for both 20-25,4 mm. Delivered complete with 6 nylon whips (∅ 3 mm) of 300mm each and kit of adaptor washers and reduction rings. Suggested for trimmers of maximum 25 c.c.



**NO SHAFT BOLT**

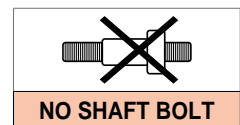
STANDARD PACKING	NYLON BAG - 1PC.	
MASTER SHIPPER	50 PCS. PER BOX	

## Whips trimmer head




DESCRIPTION	P/N
ALUMINIUM / NYLON HEAD	5090903

► Professional trimmer head, universal mounting without adaptor, centering bore for both 20-25,4 mm. Delivered complete with 10 nylon whips (∅3,3 mm) of 300 mm each and kit of adaptor washers and reduction rings. Suggested for brushcutters up to 35 c.c.



**NO SHAFT BOLT**

STANDARD PACKING	NYLON BAG - 1PC.	
MASTER SHIPPER	50 PCS. PER BOX	

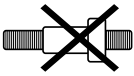
## Replacement parts for whips trimmer head



DESCRIPTION	P/N
Kit of adaptor washers and reduction rings	5025007
∅ 3 mm Set of 50 nylon whips each, 300 mm long	5200040
∅ 3,3 mm Set of 50 nylon whips each, 300 mm long	5200041



## Whips trimmer head



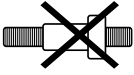
DESCRIPTION	P/N
ALUMINIUM / ALUMINIUM HEAD	5090910
<p>▶ Trimmer head, universal mounting without adaptor, centering bore for both 20-25,4 mm. Delivered complete with 10 nylon whips (<math>\varnothing</math> 3,3 mm) of 300 mm each and kit of adaptor washer and reduction ring. Suggested for trimmers over 33 c.c.</p>	 <b>NO SHAFT BOLT</b>



STANDARD PACKING	NYLON BAG - 1PC.	
MASTER SHIPPER	50 PCS. PER BOX	

## Whips trimmer head



**PATENT  
PENDING**

DESCRIPTION	P/N
NYLON HEAD	5090912
<p>▶ New concept patented nylon head for brushcutters up to 33 cc. Modern design combined with high cutting performance and minimum weight. Universal mounting without adaptor, centering bore for both 20-25,4 mm. Delivered complete with 4 nylon whips (<math>\varnothing</math> 3 mm) of 300 mm each and kit of adaptor washer and reduction ring. Suggested for brushcutters up to 33 c.c.</p>	 <b>NO SHAFT BOLT</b>

STANDARD PACKING	NYLON BAG - 1PC.	
MASTER SHIPPER	50 PCS. PER BOX	

## Replacement parts for whips trimmer head

DESCRIPTION	P/N
Kit of adaptor washers and reduction rings	5025007
$\varnothing$ 3 mm Set of 50 nylon whips each, 300 mm long	5200040
$\varnothing$ 3,3 mm Set of 50 nylon whips each, 300 mm long	5200041



## Whips trimmer head



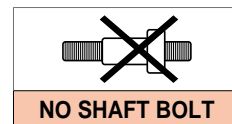
### DESCRIPTION

### P/N

ALUMINIUM / NYLON HEAD

5090904

► Professional trimmer head, universal mounting without adaptor, centering bore for both 20-25,4 mm. Multi stage line extension for mulching purpose. Delivered complete with 10 nylon whips ( $\varnothing$  3,3 mm) of 300 mm each and kit of adaptor washers and reduction rings. Suggested for brushcutters over 40 c.c.



**NO SHAFT BOLT**

STANDARD PACKING

NYLON BAG - 1PC.



MASTER SHIPPER

50 PCS. PER BOX



## Whips trimmer head



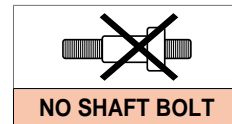
### DESCRIPTION

### P/N

ALUMINIUM / ALUMINIUM HEAD

5090911

► Professional trimmer head, universal mounting without adaptor, centering bore for both 20-25,4 mm. Multi stage line extension for mulching purpose. Delivered complete with 10 nylon whips ( $\varnothing$  3,3 mm) of 300 mm each and kit of adaptor washers and reduction rings. Suggested for brushcutters over 40 c.c.



**NO SHAFT BOLT**

STANDARD PACKING

NYLON BAG - 1PC.



MASTER SHIPPER

50 PCS. PER BOX



## Replacement parts for whips trimmer head

DESCRIPTION	P/N
Kit of adaptor washers and reduction rings	5025007
$\varnothing$ 3 mm Set of 50 nylon whips each, 300 mm long	5200040
$\varnothing$ 3,3 mm Set of 50 nylon whips each, 300 mm long	5200041



## Whips trimmer head adaptor



### DESCRIPTION

### P/N

SUITABLE FOR ALUMINIUM / NYLON HEAD

5090019

STANDARD PACKING

NYLON BAG - 1PC.



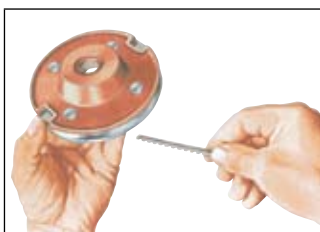
MASTER SHIPPER

10 PCS. PER BOX

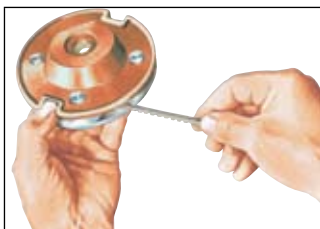


## Whips trimmer head SF25

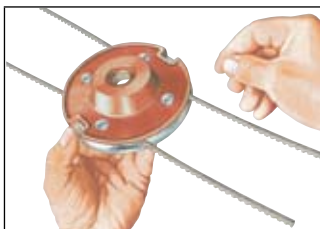
### PREPARATION



For optimal results, use square nylon whips length 400mm



Press in the lateral metal buttons and insert new pre-cut whip



Ensure that the whip is the same length of each side of the head, and beginning work!

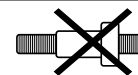
### DESCRIPTION

ALUMINIUM / NYLON HEAD

### P/N

50619000

► Universal Trimmer head, universal mounting without adaptor.



**NO SHAFT BOLT**

STANDARD PACKING

NYLON BAG - 1PC.



MASTER SHIPPER

50 PCS. PER BOX



**NEW**



**PATENT PENDING**

## Replacement parts for whips trimmer head

### DESCRIPTION

∅ 3 mm Set of 25 nylon whips each, 400 mm long

### P/N

5200230



## Tap-n-go trimmer head Ø109 mm



DESCRIPTION	P/N
M 7 x 1 Left male	50719011
M 8 x 1.25 Left male (fits EFCO only)	50719000
M 8 x 1.25 Left female	50719001
M 8 x 1.25 Left male	50719002
M 10 x 1.00 Left female (fits STIHL only)	50719003
M 10 x 1.25 Left female	50719004
M 10 x 1.25 Left female (fits HU only)	50719005
M 10 x 1.25 Left male	50719006
M 10 x 1.50 Left female (fits HU only)	50719007
3/8"- 24 Left female	50719008

► Double line nylon head Ø 109 mm complete with adaptor bolt - Ø 2 mm nylon line.

STANDARD PACKING

NYLON BAG - 1PC.

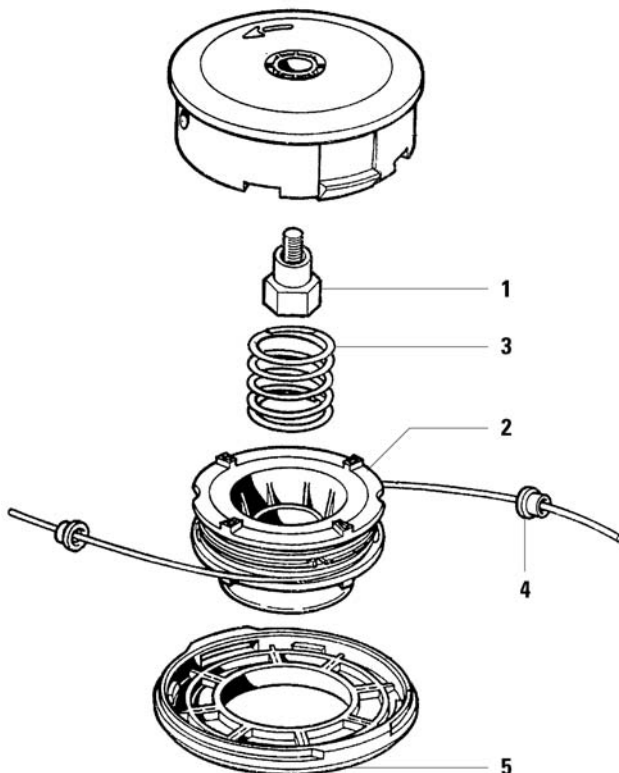


MASTER SHIPPER

75 PCS. PER BOX



## Spare parts



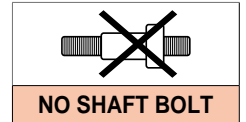
DESCRIPTION	P/N
1 Adaptor M 7 x 1 Left male	5070021
Adaptor M 8 x 1.25 Left male (fits EFCO only)	5070006
Adaptor M 8 x 1.25 Left female	5070011
Adaptor M 8 x 1.25 Left male	5070020
Adaptor M 10 x 1.00 Left female (fits STIHL only)	5070026
Adaptor M 10 x 1.25 Left female	5070008
Adaptor M 10 x 1.25 Left female (fits HU only)	5070024
Adaptor M 10 x 1.25 Left male	5070009
Adaptor M 10 x 1.50 Left female (fits HU only)	5070032
Adaptor 3/8"-24 Left female	I00003000
2 Spool without line	B01201002
3 Spring	M00200002
4 Line retainer	5070005
5 Upper cover	C00205001

## Tap-n-go trimmer head Ø130 mm



DESCRIPTION	P/N
PRO UNIVERSAL HEAD	5070911

- ▶ Semi-automatic head "pro universal".  
Tape-n-go double line head, universal mounting without adaptor, centering bore for both 20÷25.4 mm - ø 2,4 mm nylon line.



STANDARD PACKING      NYLON BAG - 1PC.

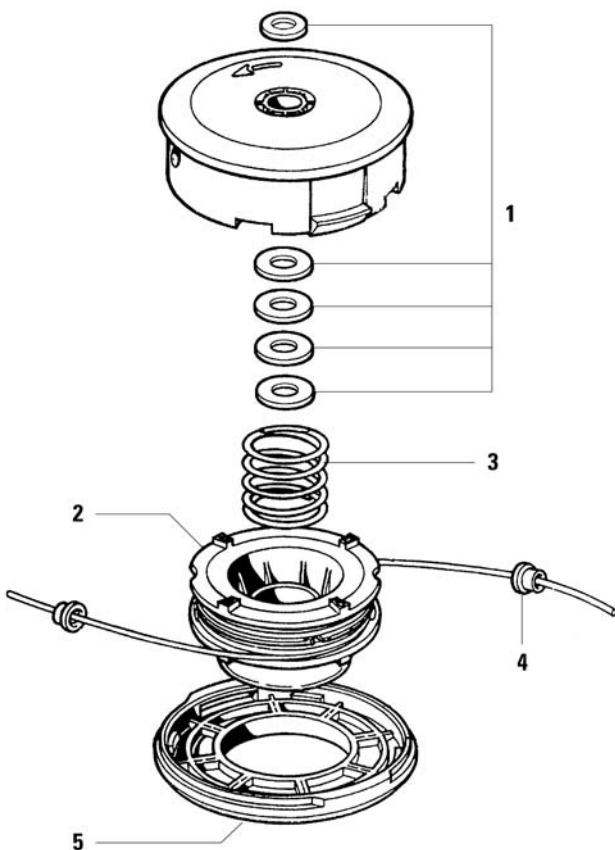


MASTER SHIPPER      50 PCS. PER BOX



## Spare parts

DESCRIPTION	P/N
1 Kit of adaptor washers and reduction rings	5025007
2 Spool without line	5070003
3 Spring	5070004
4 Line retainer	5070005
5 Upper cover	5070038



## Tap-n-go trimmer head Ø130 mm



DESCRIPTION	P/N
M 8 x 1.25 Left male (fits EFCO only)	5070901
M 8 x 1.25 Left female	5070902
M 8 x 1.25 Left male	5070907
M 8 x 1.25 Right male	5070924
M 10 x 1.00 Left female (fits STIHL only)	5070908
M 10 x 1.25 Left female	5070903
M 10 x 1.25 Left male	5070916
M 10 x 1.25 Left male	5070904
M 10 x 1.50 Left male (fits MC only)	5070909
M 10 x 1.50 Left female (fits HU only)	5070917
M 12 x 1.25 Left female (fits XENOAH only)	50709003
M 12 x 1.50 Left female + M 14 x 1.50 Left female	5070905
M 12 x 1.75 Left female (fits HU only)	5070913
NEUTRAL delivered without adaptor	5070910

► Double line nylon head Ø 130 mm complete with adaptor bolt - Ø 2,4 mm nylon line.

STANDARD PACKING

NYLON BAG - 1PC.

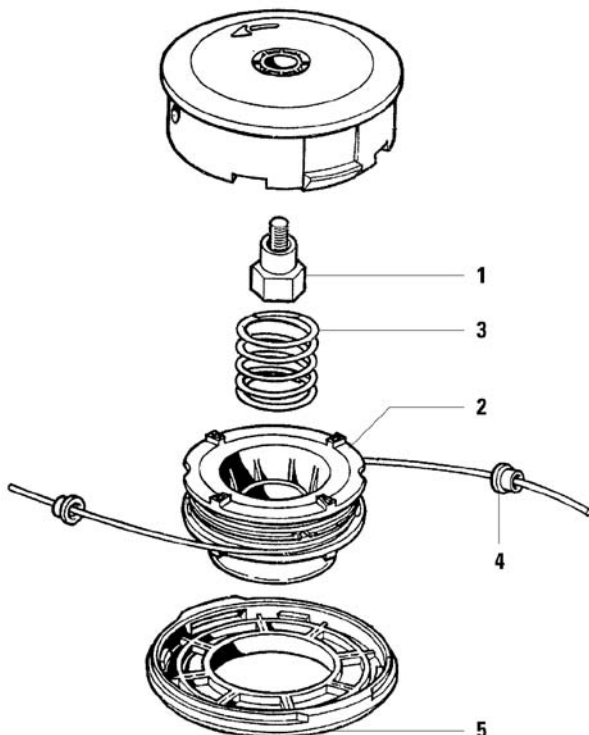


MASTER SHIPPER

50 PCS. PER BOX



## Spare parts



DESCRIPTION	P/N
1 Adaptor M 8 x 1.25 Left male (fits EFCO only)	5070006
Adaptor M 8 x 1.25 Left female	5070011
Adaptor M 8 x 1.25 Left male	5070020
Adaptor M 8 x 1.25 Right male	5070044
Adaptor M 10 x 1.00 Left female (fits STIHL only)	5070026
Adaptor M 10 x 1.25 Left female	5070008
Adaptor M 10 x 1.25 Left female (fits HU only)	5070024
Adaptor M 10 x 1.25 Left male	5070009
Adaptor M 10 x 1.50 Left male (fits MC only)	5070027
Adaptor M 10 x 1.50 Left female (fits HU only)	5070032
Adaptor M 12 x 1.25 Left female (fits XENOAH only)	100003001
Adaptor M 12 x 1.50 Left female	5070010
Adaptor M 12 x 1.75 Left female (fits HU only)	5070028
Adaptor M 14 x 1.50 Left female (fits STIHL only)	5070039
2 Spool without line	5070003
3 Spring	5070004
4 Line retainer	5070005
5 Upper cover	5070002





## Tap-n-go trimmer head Ø160 mm



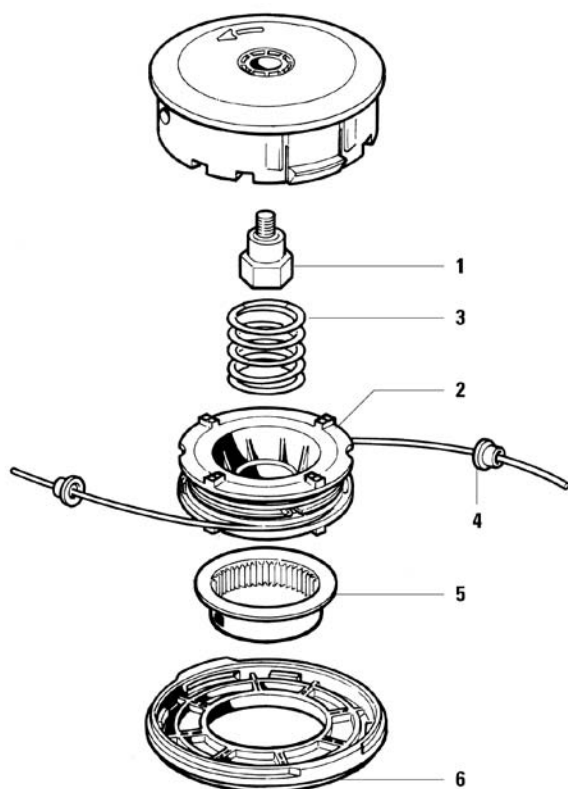
Suggested for brush-cutters into 40 cc

DESCRIPTION	P/N
NEUTRAL delivered without adaptor	5075901

► Double line nylon head ø 160 mm - ø 3 mm nylon line.

STANDARD PACKING	NYLON BAG - 1PC.	
MASTER SHIPPER	35 PCS. PER BOX	

## Spare parts



DESCRIPTION	P/N
1 Adaptor M 8 x 1.25 Left male (fits EFCO only)	5070006
Adaptor M 8 x 1.25 Left female	5070011
Adaptor M 8 x 1.25 Left male	5070020
Adaptor M 10 x 1.00 Left female (fits STIHL only)	5070026
Adaptor M 10 x 1.25 Left female	5070008
Adaptor M 10 x 1.25 Left male	5070009
Adaptor M 10 x 1.50 Left male (fits MC only)	5070027
Adaptor M 10 x 1.50 Left female (fits HU only)	5070032
Adaptor M 12 x 1.25 Left female (fits XENOAH only)	I00003001
Adaptor M 12 x 1.50 Left female	5070010
Adaptor M 12 x 1.75 Left female	5070028
Adaptor M 14 x 1.50 Left female	5070039
2 Spool without line	5075003
3 Spring	5075006
4 Line retainer	5070005
5 Knob	5075004
6 Upper cover	5075002

## Manual head pro type



DESCRIPTION	P/N
M 7 x 1.00 Left male	5030901
M 8 x 1.25 Left male	5030903
M 8 x 1.25 Left male (fits Efco only)	5030904
M 8 x 1.25 Left female	5030907
M 10 x 1.00 Left female (fits HU only)	5030911
M 10 x 1.00 Left female (fits Stihl only)	5030910
M 10 x 1.25 Left female	5030913
M 10 x 1.25 Left male	5030914
M 10 x 1.50 Left female	5030915
M 12 x 1.50 Left female (fits Stihl only)	5030917
M 12 x 1.75 Left female (fits HU only)	5030918

► Double line nylon head complete with adaptor bolt, aluminium knob -  $\varnothing$  2,4 mm nylon line.

STANDARD PACKING

NYLON BAG - 1PC.

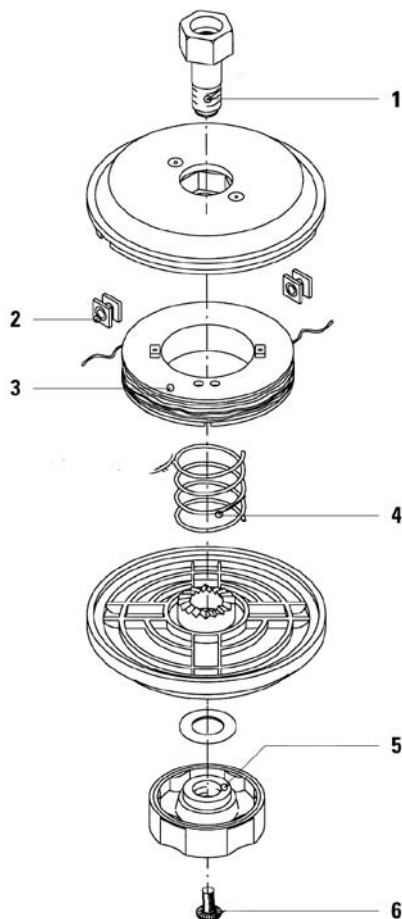


MASTER SHIPPER

70 PCS. PER BOX



## Spare parts



DESCRIPTION	P/N
1 Adaptor M 7 x 1.00 Left male	5030015
Adaptor M 8 x 1.25 Left male	5030018
Adaptor M 8 x 1.25 Left male (fits Efco only)	5030044
Adaptor M 8 x 1.25 Left female	5030021
Adaptor M 10 x 1.00 Left female (fits HU only)	5030025
Adaptor M 10 x 1.00 Left female (fits Stihl only)	5030024
Adaptor M 10 x 1.25 Left female	5030027
Adaptor M 10 x 1.25 Left male	5030028
Adaptor M 10 x 1.50 Left female	5030029
Adaptor M 12 x 1.50 Left female	5030031
Adaptor M 12 x 1.75 Left female	5030032
2 Line retainer (square)	5030011
3 Spool without line	5030014
Spool with line (6m)	5030043
4 Spool spring	5030010
5 Left knob	5030009
Right knob	5030013
6 Knob screw	5030012

## Manual head vera cut



DESCRIPTION	P/N
M 8 x 1.25 Left male	5040907
M 8 x 1.25 Left male (fits Efco only)	5040908
M 8 x 1.25 Left female	5040905
M 10 x 1.25 Left female	5040912
M 10 x 1.25 Left male	5040913

- Double line nylon head complete with adaptor bolt, aluminium knob - ø 2,4 mm nylon line.

STANDARD PACKING

NYLON BAG - 1PC.

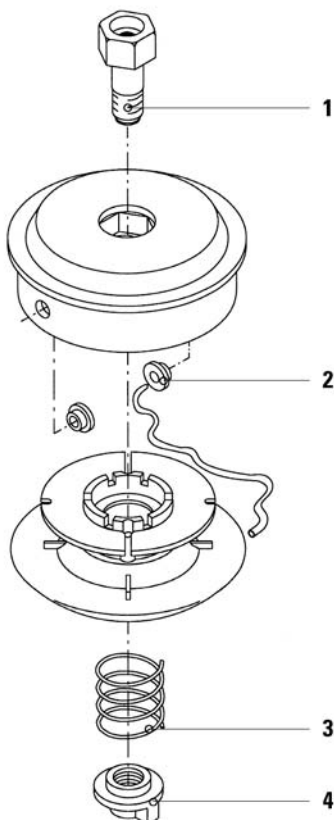


MASTER SHIPPER

60 PCS. PER BOX



## Spare parts



	DESCRIPTION	P/N
1	Adaptor M 8 x 1.25 Left male	5040007
	Adaptor M 8 x 1.25 Left male (fits Efco only)	5040008
	Adaptor M 8 x 1.25 Left female	5040005
	Adaptor M 10 x 1.25 Left female	5040012
	Adaptor M 10 x 1.25 Left male	5040013
2	Line retainer ø i 5 - ø e 10 (old)	5040020
	Line retainer ø i 7 - ø e 14 (new)	5040026
3	Spring	5040021
4	Left knob (Alluminium)	5040022
	Left knob (Nylon)	5040030
5	Right knob (Alluminium)	5040023

## Guide list for head adaptors

<b>ALKO</b>	LT250C	8 x 1.25 LHM
	MS400, 106146	10 x 1.25 LHF
	106389, 106144, 106436, 106145	8 x 1.25 LHF
<b>ARIMITSU</b>	ACC15, ACC17, ACD-17, ACD18, ACE30, ACZEK, AM-16D, AM-24, AM-24D, AM-31, AM-31K, AM-31KL, AM40, AM50	8 x 1.25 LHM
<b>ALPINA</b>	170, 180, 190, 200	8 x 1.25 LHM
	VIP21, VIP25, VIP30, VIP34, VIP34D, VIP34F, VIP42, VIP35F, VIP52, VIP52D, VIP52F, VIP42D, VIP42F	8 x 1.25 LHF
	210, 220	10 x 1.25 LHF
<b>BLUEBIRD</b>	SBC23E, 27E, NBC31EA, NBC38E, M47, M54	10 x 1.00 LHF
<b>DOLMAR</b>	BC250, LT250, BC330, BC400, SD330, BC250, PRO370, PRO400, MS3300/4000/4500	10 x 1.25 LHM
	BC337, BC377, NB26, NB03, NB04, NB31, NB40, MS3500, NB40, NB411, NB50, NB351, BD330, C250, LT-250	10 x 1.00 LHF
	BC225, C225, LT225, MS220, MS2300, MS2600, MS3100, LT154, NB, NB01F, NB02, NB16F, NB211, NBF171, NB26/31, LT225, LT255, NB2, NB271, MS-250, MS3200, MS5200, MS2810	8 x 1.25 LHF
	MS340, BC-12, BC-210, BC-212, MS5250, BC210, BC212, MS-30C, MS30U	10 x 1.25 LHF
	MS3300, MS4000, MS4500, MS3310, MS-4010, MS-4510	12 x 1.50 LHF
	NB231AU, NB231A, NB23F, NB171, LT250	8 x 1.25 RHF
	LT210	10 x 1.25 RHF
<b>ECHO</b>	SRM2300L, 2300U, SRM2090L, 2090U, SRM250EL, ARM400A, RM460, RMA2530, SRA2190, 250EU, SRM310, 310U, RM380, SRM302BDX, SRM3800, SRM4600, SRM2450L, 2450U, SRM3500, SRM3550, SRM2510, RM460, SRA2190, RMA2530, SRM2600L, 2600U, SRM3150L, 3150U, SRM343SL, CLS4600, GT2400, RM310, SRM2010L, 140, 160AE, 190, 200, 200BE, 250/EU, 300, 302, 310/U, 400, 402, 500, 501, 3150U, 3800, 4600, SRM300, RMA2530, SRM140DA, SRM1500, SRM1501, SRM200BE, SRM200CE, SRM200DA, SRM200DB, SRM2010, SRM2200, SRM2201, SRM2301, SRM2500, SRM2501, SRM2502, SRM3000, SRM3001, SRM300AE, SRM300E, SRM3010, SRM400AE, SRM400BE, SRM402DE, SRM3800, 2010, 2300, 2090, 2090U, 2510, 3500, 2190, 2530, SRM-2450L, 2500, 2501, 2502, 250EL, 2510, 2600L, 3010, SRM-2455, 2015, 2455, 315SL, 360, 2655, 400, 5000	10 x 1.25 LHF
	ST160AE, 500, 501, 210AE, 2300/U, 2450U, 2510, 2530, 2600U	10 x 1.25 RHF
	CLS4600, CLS5800, CLS5810	12 x 1.75 LHF
<b>EFCO</b>	200 Series -200, 2201C, 260/D, 2601C, 2601CVA, 261/A, 300 Series 300A/AIC, 301, 310, 350, 400 Series 400/AIC, 400A, 410, 450, 460/AVS,	8 x 1.25 LHM
	8060, 8100, 8200, 8250R, STARK26TR	8 x 1.25 LHF
	8250RL, 8220IC, 8260IC, STARK26IC, 8250/IC/ICD, 8300NEW, 8250ICD, 8250ICNEW, 8350/IC, 8400/IC, 8460/IC, 8530/IC, 8550BOSS, 8355, 8405, 8465, 8535	8 x 1.25 LHM
<b>HOMELITE</b>	TM523	7 x 1.00 LHM
	BCH - 20, 24 2D, 32C, 33, 33B, 33DI, 33TO	8 x 1.25 LHM
	HBC30, -30B, 38, 40, HK- 14, 18, 24, 28, 33, 38, PCB3600, 3600E, PLT3400, ST155, 175C, 185C, 285C, 385C, ST485, ST485C	8 x 1.25 LHF
	ST360, ST385, SXD20, TK518, NBA524, PMB522, TXD508	8 x 1.25 LHM
	BCH38, BCH40, BCH48, PBC3800, PBC4000	10 x 1.25 LHF
	NBA524, PMB522, TXD508	10 x 1.25 LHM
<b>HONDA</b>	UH41, SXD-25HE	8 x 1.25 LHM
	UMK422LTE/UT4E/LT4E	10 x 1.25 LHF
<b>HUSQVARNA</b>	24R (before 1987)	7 x 1.00 LHM
	265RX, 250RX, 245RX, 135R, 132RD, 132LD, 125R, 25R, 125RD, 125LD, 125RB, 132RL, 245R, 125L, 132L, 125RJ, 125RJD, 26R, 235R, 32L, 120L, 225L, 225LD, 227R	12 x 1.75 LHM
	232L, 232LCAT, 32R, 225RJ, 225R, RD, 232R, 232RCAT, 322L, 325LX/XT, 325RJX, 322RJ, 325RX/RXT	10 x 1.25 LHF
	235RCA, 240R, 240RBD, 250RX, 245R, 245RX, 265RX, 140R, 165R, 244R, 244GX, 36R, 39R, 16R, 18RL, 22RL, 240RJ, 142RB, 152RB, 252RX	12 x 1.75 LHF
	Mondo MEGA, Mondo Maxi	3/8" x .24 LHF
	26L	3/8" x .24 RHF
	16R, 25R - before 1987	8 x 1.25 LHM
<b>IKRA</b>	BT1045	8 x 1.25 LHM

## Guide list for head adaptors

<b>ISEKI SHINDAIWA</b>	DYB190, DYB191	3/8"x.24" RHM
	DYB251, DYB252, DYB254, DYB261, DYB262, DYB321, DYB322	8 x 1.25 LHM
	DYB351, DYB453, DYB354, DYB454	10 x 1.25 LHM
	DYB201, DYB202, DYB231, DYB232	7 x 1.00 LHM
	IC12, ICD13, IC15, IC16, IC17, IC18, ICD13, K16, K17, K18	9 x 1.25 LHF
	IAX180, 190, 250, 350, 400, 500	8 x 1.25 LHF
<b>JONSERED</b>	G25RD	8 x 1.25 LHF
	300, 400, LR200/B/L, LR260B/L	8 x 1.25 LHM
	BP40 Combi, BR400/450, GR26Combi, GR26D/L, GR32L/CAT, GR44, GT21/22/24, RS44, BP2040C, GR3032D/L	10 x 1.25 LHF
	GR32D/CAT, GR36/CAT, GR41/50, R38/45, RS30/38/40/45, RS51PRO, RS52, GR2036, BP2052, BP240C	12 x 1.75 LHF
	G25RD	8 x 1.25 LHF
<b>KAZ</b>	V20	7 x 1.00 LHM
	K10, K20, K2020, K2Q, K2Q20, K30, KLQ, KOP20B, KPQ/20, KQ, KQP20, KQT130, KT12, RQ20, U10, V15/18/25, VP15/20, VS220/230/250, VX230/260	8 x 1.25 LHF
	KQ20, V10	8 x 1.25 RHF
	410, J40/BD/HD, J400/GX, JLKT200, JLQT200, JQ/40/50, JQG4K, JQT200, K40D/BD, KQ30/NE, KT10, KT18/1S/30, KW30NE, JQT200, K40D/BD, KQ30/NE, KT10/18/1S/30, KW30NE, RQ30/40, RX350/351L, TI70,240/410, V190/35/40, V420/520, VNX540, VRX360/440/540, VX221/251C/360/360S, VX440	10 x 1.25 LHF
<b>KOMATSU ZENOAH</b>	BC220DL, BC221DL, BC17, BC23, BC32	7 x 1.00 LHM
	BC2300DL	8 x 1.00 LHF
	BC254A, BC260DM/DUM, BC260DM, BC340DWM/FW, BC341DWH, BC431DWM, BC432FWM, BCD20, BCF01, BK345FL, BK435FL, BK530DL	8 x 1.25 LHM
	BC431FWM, BC531DWM, BC532DWM, BK531DL, FBC22, FBC26	10 x 1.25 LHM
<b>MC CULLOCH</b>	BP30AV, DELTA, MS33/40, S'MAC30AV, TD2400/3300/4000	8 x 1.25 LHM
	MAC22/23/30/38	8 x 1.25 LHF
	MAC17/25	8 x 1.25 RHF
	100A, 90/A, 95A, 99A, EB3, MAC80/90/95A, PS1/2/3/4/5, SEB4, SM100, SMAC30AV, SMAV38AV	10 x 1.25 LHF
	TD2100, MAC32, MAC37	10 x 1.25 LHM
	MAC60A, MAC80A	10 x 1.25 RHF
	SUPERMAC26, MAC30A, 30AV, PRATER30, EUROPA92/35A, EUROPA, MS24, MS52, PROMAC38AV, BP38AV, WINDSORKIT26, VERSAILLES38, BP26AV, BP35AV	10 x 1.50 LHM
	MAC85A, MAC90A, MAC95A, SMAC30AV, SMAC38AV	10 x 1.25 LHF
	60, 60A, 70, 80, 95, EB2	3/8" x.24 RHF
	RBC230, RBC260, RBC310, RBC410, RBK410, RBC525	8 x 1.25 LHM
<b>MAKITA</b>	DBC3300, DBC4000, DBC4000C	12 x 1.50 LHF
	BC180/181DX, BC200/240DX, TM2/21/24DX/F3L	8 x 1.25 LHF
	BT181DX	8 x 1.25 RHF
<b>MARUNAKA</b>	G13K	10 x 1.25 LHF
	BC480DX, G3/5, GL3K, T240DX/F53/L	10 x 1.25 LHM
	TM33DX/F43L, TM33DX/F43, T200DX/F43L, T200DX/F43, TM33JX,/F404L, T200JX/F404L, BC330DX, BC400DX, BK404FX	10 x 1.50 LHF
	BC184/C, BC220DE, BC230/241/326/330/402/480, BC331BK, MB100/250/300/400/500	8 x 1.25 LHM
	32, 35	10 x 1.25 LHM
<b>MARUYAMA</b>	23	10 x 1.50 LHF
	BC200C, BC260/H, MC260/S	10 x 1.25 LHF
	TR60E, TR101E, 720, SPARTA26TR, 725B,	8 x 1.25 LHF
	725BL, 722/726S, SPARTA26S, SPARTA26, 725S/T/D, 730S/T, 735S/T, 740S/T, 746S/T, 735S/T, 755MASTER, 435/440/446/453BP	8 x 1.25 LHM
<b>PARTNER</b>	B400	10 x 1.00 LHF
	200, 203, 205, B250C, B250V(before1987), T250, B323, B325	10 x 1.25 LHF
	B370, B380, B180, B440, B450, B405, B250C/V, B250U, B450G, B450/C, B265J, B405	12 x 1.75 LHF
	T221, T321, B322	8 x 1.00 LHF

## Guide list for head adaptors

<b>POULAN</b>	150, 200, 2620, 800, 900	10 x 1,50 LHF
<b>ROBIN</b>	NB30K, NBR30/40	8 x 1.25 LHM
	IVBK411, NB02, NB16F, NB211, NB26, NB281A, NB31/AU, NB351, NBA231, NBK411, NBT415, IVBF231, NB231, NB23F, NBF171, NBF231	8 x 1.25 LHF
	IVB50L, NB03/4, NB411L, NB50L	10 x 1.00 LHF
<b>RYOBI</b>	180KS/S, 3318, REK285BP	8 x 1.25 LHM
	RD1605, RD2414, RD3818	8 x 1.25 LHF
	RD5224, RD5225, RSB2801, RSH1100	10 x 1.25 LHM
	RD260	10 x 1.50 LHF
	RD330, RD430, RD520	12 x 1.75 LHF
<b>SHINDAIWA</b>	C20/230, LT18/20, T18/20/A, T230/XR, T23E, T35	7 x 1.00 LHM
	BP35/45, C23/25/27, C250, F20, R2025/35F, T25/27/250, T260/270/350, YARDWARE220	8 x 1.25 LHM
	B35/40/45, BP35, C35, RC35/45, F18	10 x 1.25 LHM
<b>STIHL</b>	FS50, FS51, FS60, FS61, FS65, FS80E, FS90AVE	8 x 1.25 LHM
	FS44, FS52, FS56, FS66, FS86, FR106, FS74, FS74R, FE55, FS36, FS88, FR108, FS40, FS76, FS76R, FS106, FS108, FS48, FS52, FS62, FS81, FS96,	10 x 1.00 LHF
	FS160, FS220, FS55/R, FS25-4/R, FS65-4/R, FS80R, FS85/R/RT	10 x 1.50 LHF
	420, FS08, FS150/180, FS20, FS200, FS280/K, FS353AV, FS360, FS410, FS420, FR350/450, FS350/450/400K/450K, FS400/L, FS500, FS550	12 x 1.50 LHF
<b>SOLO</b>	FS125, S200, S300	8 x 1.25 LHF
	123, 125, Multimot	10 x 1.00 LHF
	100, 130S, 014, 119, 400, FS135, FS136, S100, S400	10 x 1.25 LHF
	115, 118	10 x 1.25 RHF
	124, 126, 127, 128, 130, 134, 137, 140, 141	12 x 1.50 LHF
<b>TAS TANAKA</b>	AST250/5000/7000, SUM250, SUM301/321/321E/351/400, SUM421/500/7000, TBC16/160/162/20/2000, SUM205/215/220/2200, TBC225-255, TCB23/232/2507250DH/262/265/265SDH/262, TBC265, TBC265SDH/30/300/322/355/37/373/4000/422/422BDH, TBC4500/500/5000/500DH/501/202, TBC300SDH/355DH, TST218, TUM220, TUM250	8 x 1.25 LHM
	SUM3	10 x 1.25 LHF
	TBC16, AST5000, TBC5000, TBC4000	8 x 1.25 RHF
<b>XENOAH</b>	BC17, BC23, BC32	7 x 1.00 LHM
	BCF01, BCD20, BC260	8 x 1.25 LHM
	FBC26, FBC22	10 x 1.25 LHM

## Round nylon line

Quality ★★★★★



### ► Donuts 15 m

P/N	Ø mm	m	Q.ty per carton
5200154	1.3 (.050")	15	240 pcs.
5200155	1.6 (.065")	15	240 pcs.
5200156	2.0 (.080")	15	240 pcs.
5200157	2.4 (.095")	15	224 pcs.
5200158	2.7 (.105")	15	144 pcs.
5200159	3.0 (.118")	15	144 pcs.
5200160	3.3 (.130")	15	128 pcs.



### ► Donuts

P/N	Ø mm	m	Q.ty per carton
5200179	1.6 (.065")	97	81 pcs.
5200180	2.0 (.080")	62	81 pcs.
5200181	2.4 (.095")	43	81 pcs.
5200182	2.7 (.105")	35	81 pcs.

### ► Donuts

P/N	Ø mm	m	Q.ty per carton
5200120	1.6 (.065")	196	45 pcs.
5200121	2.0 (.080")	126	45 pcs.
5200122	2.4 (.095")	87	45 pcs.
5200123	2.7 (.105")	72	45 pcs.
5200124	3.0 (.118")	56	45 pcs.
5200125	3.3 (.130")	46	45 pcs.

## Round nylon line

Quality ★★★★★



### ► Spool 2 Pounds (0,904 Kg)

P/N	Ø mm	m
5200111	2.4 (.095")	175
5200112	2.7 (.105")	143
5200113	3.0 (.118")	112
5200114	3.3 (.130")	92

### ► Spool 3 Pounds (1,356 Kg)

P/N	Ø mm	m
5200245	2.4 (.095")	262
5200246	2.7 (.105")	215
5200247	3.3 (.130")	139

### ► Spool 4 Pounds (1,808 Kg)

P/N	Ø mm	m
5200097	2.0 (.080")	503
5200098	2.4 (.095")	349
5200099	2.7 (.105")	286
5200100	3.0 (.118")	223
5200101	3.3 (.130")	185

### ► Spool 5 Pounds (2,260 Kg)

P/N	Ø mm	m
5200242	2.4 (.095")	437
5200243	2.7 (.105")	358
5200240	3.0 (.118")	279
5200244	3.3 (.130")	231

### ► Spool 10 Kg about

P/N	Ø mm
5200134	1.3 (.050")
5200135	1.6 (.065")
5200086	2.0 (.080")
5200087	2.4 (.095")
5200088	2.7 (.105")
5200089	3.0 (.118")
5200090	3.3 (.130")

P.N. AND PRICES ARE REFERRED TO 1 KG





## Square nylon line

Quality ★★★★★



### ► Donuts 15 m

P/N	mm	m	Q.ty per carton
5200162	2.4 (.095")	15	224 pcs.
5200163	2.7 (.105")	15	144 pcs.
5200164	3.0 (.118")	15	144 pcs.
5200165	3.3 (.130")	15	128 pcs.



### ► Donuts

P/N	mm	m	Q.ty per carton
5200186	2.4 (.095")	34	81 pcs.
5200187	2.7 (.105")	28	81 pcs.
5200188	3.0 (.118")	22	81 pcs.
5200189	3.3 (.130")	18	81 pcs.

### ► Donuts

P/N	mm	m	Q.ty per carton
5200127	2.4 (.095")	69	45 pcs.
5200128	2.7 (.105")	56	45 pcs.
5200129	3.0 (.118")	44	45 pcs.
5200130	3.3 (.130")	36	45 pcs.

## Square nylon line

Quality ★★★★★



### ► Spool 2 Pounds (0,904 Kg)

P/N	Ø mm	m
5200139	2.4 (.095")	137
5200116	2.7 (.105")	112
5200140	3.0 (.118")	88
5200141	3.3 (.130")	72

### ► Spool 3 Pounds (1,356 Kg)

P/N	Ø mm	m
5200231	2.4 (.095")	206
5200250	2.7 (.105")	169
5200251	3.0 (.118")	132
5200252	3.3 (.130")	109

### ► Spool 4 Pounds (1,808 Kg)

P/N	Ø mm	m
5200103	2.4 (.095")	274
5200104	2.7 (.105")	225
5200105	3.0 (.118")	175
5200106	3.3 (.130")	145

### ► Spool 5 Pounds (2,260 Kg)

P/N	Ø mm	m
5200232	2.4 (.095")	343
5200248	2.7 (.105")	281
5200241	3.0 (.118")	219
5200249	3.3 (.130")	181

### ► Spool 10 Kg about

P/N	Ø mm
5200092	2.4 (.095")
5200093	2.7 (.105")
5200094	3.0 (.118")
5200095	3.3 (.130")

P.N. AND PRICES ARE REFERRED TO 1 KG



## Pro-trim disk



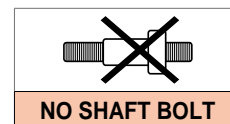
### DESCRIPTION

PRO-TRIM UNIVERSAL "HOBBY" Ø 230 mm

### P/N

5025901

- Universal disk with three (3) nylon blades, cutting diameter 230 mm, universal mounting without adaptor, centering hole for both 20 ÷ 25.4 mm. Suggested for brush-cutters under 30 cc.



**NO SHAFT BOLT**

STANDARD PACKING

1 PC. PER BOX



MASTER SHIPPER

40 UNITS



## Pro-trim disk



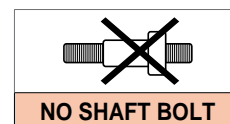
### DESCRIPTION

PRO-TRIM UNIVERSAL Ø 300 mm STANDARD

### P/N

5020937

- Universal disk with three (3) nylon blades, cutting diameter 300 mm, universal mounting without adaptor, centering hole for both 20 ÷ 25.4 mm. Suggested for brush-cutters over 30 cc.



**NO SHAFT BOLT**

STANDARD PACKING

1 PC. PER BOX

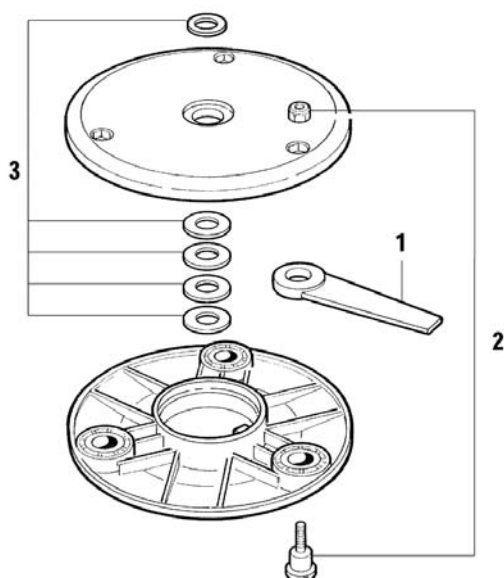


MASTER SHIPPER

40 UNITS



## Spare parts



### DESCRIPTION

	DESCRIPTION	P/N
1	Nylon blade-short (ø 230)	5020016
	Nylon blade-long (ø 300)	5020017
2	Complete pin and nut	5025011
3	Kit of adaptor washers and reduction rings	5025007

## Nylon blades



**NEW**

DESCRIPTION			P/N
OUTSIDE DIAM.	250 mm	9,8" inch.	5010013
HOLE DIAM.	25,4 mm	1" inch.	

► 3 Teeth-Nylon blade.

MASTER SHIPPER

40 PCS. PER BOX



**NEW**

DESCRIPTION			P/N
OUTSIDE DIAM.	230 mm	9" inch.	5010004
HOLE DIAM.	25,4 mm	1" inch.	
OUTSIDE DIAM.	255 mm	10" inch.	5010005
HOLE DIAM.	25,4 mm	1" inch.	

► 4 Teeth-Nylon blade.

MASTER SHIPPER

50 PCS. PER BOX



**NEW**

DESCRIPTION			P/N
OUTSIDE DIAM.	220 mm	9" inch.	5010002
HOLE DIAM.	25,4 mm	1" inch.	

► 8 Teeth-Nylon blade.

MASTER SHIPPER

50 PCS. PER BOX



## Steel blades



DESCRIPTION		P/N	
OUTSIDE DIAM.	255 mm	10" inch.	5001002
HOLE DIAM.	25,4 mm	1" inch.	
THICKNESS	1,6 mm		
OUTSIDE DIAM.	305 mm	12" inch.	5001003
HOLE DIAM.	25,4 mm	1" inch.	
THICKNESS	1,6 mm		

► 2 Teeth-Steel blade.

MASTER SHIPPER

100 PCS. PER BOX



DESCRIPTION		P/N	
OUTSIDE DIAM.	230 mm	9" inch.	5001004
HOLE DIAM.	25,4 mm	1" inch.	
THICKNESS	1,4 mm		
OUTSIDE DIAM.	255 mm	10" inch.	5001005
HOLE DIAM.	25,4 mm	1" inch.	
THICKNESS	1,4 mm		

► 3 Teeth-Nylon blade.

MASTER SHIPPER

50 PCS. PER BOX



DESCRIPTION		P/N	
OUTSIDE DIAM.	230 mm	9" inch.	5001007
HOLE DIAM.	25,4 mm	1" inch.	
THICKNESS	1,4 mm		
OUTSIDE DIAM.	255 mm	10" inch.	5001008
HOLE DIAM.	25,4 mm	1" inch.	
THICKNESS	1,4 mm		

► 4 Teeth-Nylon blade.

MASTER SHIPPER

50 PCS. PER BOX



DESCRIPTION		P/N	
OUTSIDE DIAM.	230 mm	9" inch.	5001010
HOLE DIAM.	25,4 mm	1" inch.	
THICKNESS	1,4 mm		
OUTSIDE DIAM.	255 mm	10" inch.	5001011
HOLE DIAM.	25,4 mm	1" inch.	
THICKNESS	1,4 mm		
OUTSIDE DIAM.	230 mm	9" inch.	5001037
HOLE DIAM.	20 mm	.78" inch.	
THICKNESS	1,4 mm		
OUTSIDE DIAM.	255 mm	10" inch.	5001038
HOLE DIAM.	20 mm	.78" inch.	
THICKNESS	1,4 mm		

► 8 Teeth-Nylon blade.

MASTER SHIPPER

50 PCS. PER BOX



## Steel blades



DESCRIPTION			P/N
OUTSIDE DIAM.	305 mm	12" inch.	5001029
HOLE DIAM.	20 mm	.78" inch.	
THICKNESS	4,0 mm		
OUTSIDE DIAM.	305 mm	12" inch.	5001028
HOLE DIAM.	25,4 mm	1" inch.	
THICKNESS	3,0 mm		

► 2 Teeth-molching purpose bent blade.

MASTER SHIPPER

50 PCS. PER BOX



**NEW**

DESCRIPTION			P/N
OUTSIDE DIAM.	300 mm	11,8" inch.	05001005
HOLE DIAM.	20 mm	.78" inch.	
THICKNESS	3,0 mm		
OUTSIDE DIAM.	300 mm	11,8" inch.	05001006
HOLE DIAM.	25,4 mm	1" inch.	
THICKNESS	3,0 mm		

► 3 Teeth-molching purpose bent blade.

MASTER SHIPPER

50 PCS. PER BOX



DESCRIPTION			P/N
OUTSIDE DIAM.	255 mm	10" inch.	5001022
HOLE DIAM.	25,4 mm	1" inch.	
THICKNESS	3,0 mm		
OUTSIDE DIAM.	305 mm	12" inch.	5001023
HOLE DIAM.	25,4 mm	1" inch.	
THICKNESS	3,0 mm		
OUTSIDE DIAM.	305 mm	12" inch.	5001030
HOLE DIAM.	20 mm	.78" inch.	
THICKNESS	3,0 mm		

► 3 Teeth

MASTER SHIPPER

25 PCS. PER BOX



**NEW**



DESCRIPTION			P/N
OUTSIDE DIAM.	255 mm	10" inch.	05001007
HOLE DIAM.	25,4 mm	1" inch.	
THICKNESS	2,0 mm		

► 20 Teeth new design tooth profile blade for most efficient clearing operations reversible and thus highly cost competitive.

MASTER SHIPPER

25 PCS. PER BOX



## Steel blades

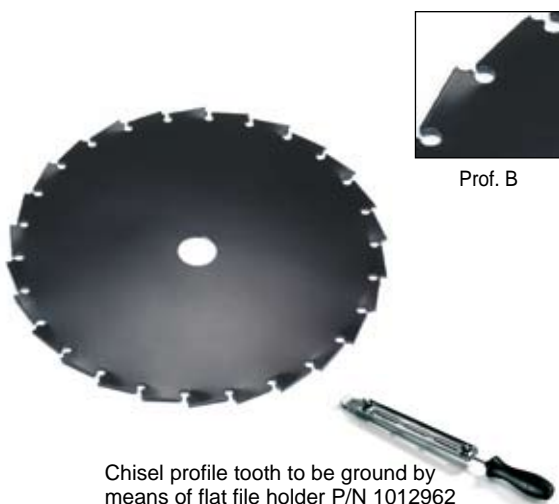


DESCRIPTION			P/N
OUTSIDE DIAM.	225 mm	9" inch.	5001041
HOLE DIAM.	20 mm	.78" inch.	
THICKNESS	1,8 mm		
OUTSIDE DIAM.	225 mm	9" inch.	5001042
HOLE DIAM.	25,4 mm	1" inch.	
THICKNESS	1,8 mm		

► 22 Teeth

MASTER SHIPPER

25 PCS. PER BOX

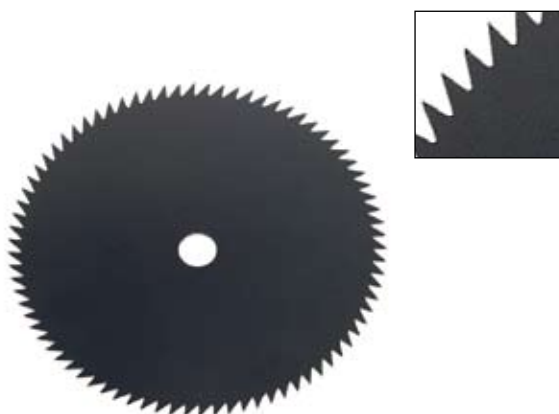


DESCRIPTION			P/N	
OUTSIDE DIAM.	22 teeth	200 mm	8" inch.	05001000
HOLE DIAM.		20 mm	.78" inch.	
THICKNESS		1,6 mm		
OUTSIDE DIAM.	22 teeth	200 mm	8" inch.	05001001
HOLE DIAM.		25,4 mm	1" inch.	
THICKNESS		1,6 mm		
OUTSIDE DIAM.	24 teeth	230 mm	9" inch.	05001002
HOLE DIAM.		20 mm	.78" inch	
THICKNESS		1,8 mm		
OUTSIDE DIAM.	24 teeth	230 mm	9" inch.	05001003
HOLE DIAM.		25,4 mm	1" inch	
THICKNESS		1,8 mm		
OUTSIDE DIAM.	26 teeth	250 mm	9.8" inch.	5001035
HOLE DIAM.		25,4 mm	1" inch	
THICKNESS		1,8 mm		
OUTSIDE DIAM.	26 teeth	250 mm	9.8" inch.	5001036
HOLE DIAM.		20 mm	.78" inch	
THICKNESS		1,8 mm		

► 22 / 24 / 26 Teeth

MASTER SHIPPER

25 PCS. PER BOX



DESCRIPTION			P/N	
OUTSIDE DIAM.	60 teeth	230 mm	9" inch.	5001039
HOLE DIAM.		20 mm	.78" inch	
THICKNESS		1,4 mm		
OUTSIDE DIAM.	60 teeth	230 mm	9" inch.	5001013
HOLE DIAM.		25,4 mm	1" inch	
THICKNESS		1,4 mm		
OUTSIDE DIAM.	80 teeth	255 mm	10" inch.	5001040
HOLE DIAM.		20 mm	.78" inch	
THICKNESS		1,4 mm		
OUTSIDE DIAM.	80 teeth	255 mm	10" inch.	5001014
HOLE DIAM.		25,4 mm	1" inch	
THICKNESS		1,4 mm		

► 60 / 80 Teeth

MASTER SHIPPER

25 PCS. PER BOX



## Ear muffs



CE  
MUFFS EN 352-1:1993

STANDARD PACKING:  
NYLON BAG - 1PC.

DESCRIPTION	P/N
-------------	-----

EAR MUFFS 5135902

▶ CE approved ear muffs. SNR: 30 dB.



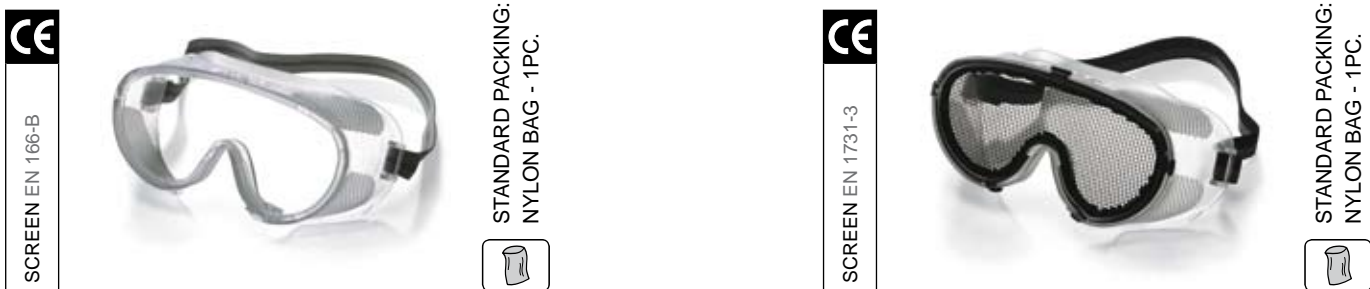
CE  
MUFFS EN 352-1:1993

STANDARD PACKING:  
NYLON BAG - 1PC.

DESCRIPTION	P/N
-------------	-----

EAR MUFFS 5135901

▶ CE approved ear muffs. SNR: 24 dB.



CE  
SCREEN EN 166-B

STANDARD PACKING:  
NYLON BAG - 1PC.

DESCRIPTION	P/N
-------------	-----

WHIT NON FOGGING LENSES 5130901

▶ CE approved goggles.

CE  
SCREEN EN 1731-3

STANDARD PACKING:  
NYLON BAG - 1PC.

DESCRIPTION	P/N
-------------	-----

WHIT NYLON MESH LENSES 5130902

▶ CE approved goggles.

## Safety helmet



CE  
HELMET EN 397:1995  
SCREEN EN 166:1995 and EN 1731:1995  
MUFFS EN 352-3:1993

**NEW**

DESCRIPTION	P/N
-------------	-----

CE LOGGER'S HELMET ASSEMBLY 51209001

- ▶ For the professional users, comfortable and complete with EN approved ear and face protection sets.
- Safety helmet complies with 89/686/EEC, BS EN 397:1995
- Face protection complies with EN166 and EN 1731
- Ear Muffs comply with EN 352-3

STANDARD PACKING	1 PC. PER BOX	
MASTER SHIPPER	12 UNITS	



SPARE PARTS	
-------------	--

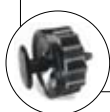
- |   |           |                    |
|---|-----------|--------------------|
| 1 | S00404000 | NET SHIELD SUPPORT |
| 2 | S00901000 | SCREEN NET SHIELD  |
| 3 | C03100000 | EAR MUFFS          |



## Metal net face shields



SCREEN EN 1731-S  
MUFFS EN 352-1:1993



DESCRIPTION		P/N
"PRO" FACE SCREEN NET SHIELD	Width: 370 mm Height: 190 mm	5120915
▶ Professional face screen with metal net shield. Heavy duty adjustable face screen with ear muffs for professional demand. SNR: 30dB.		
STANDARD PACKING	2 PCS. PER BOX	
MASTER SHIPPER	16 PCS. PER BOX	
SPARE PARTS		
1093046	SCREEN NET SHIELD	
1093073	KIT SCREW AND LOCK-RING	



SCREEN EN 1731-S



DESCRIPTION		P/N
"PRO" FACE SCREEN	Width: 370 mm Height: 190 mm	5120912
▶ Heavy duty type. Adjustable, with metal net shield. Highest safety and comfort. Extra large shield.		
STANDARD PACKING	12 PCS. PER BOX	
SPARE PARTS		
1093046	SCREEN NET SHIELD	
1093073	KIT SCREW AND LOCK-RING	



SCREEN EN 1731-S



DESCRIPTION		P/N
FACE SCREEN	Height: 190 mm	5120901
▶ Adjustable, with a spongy stripe. Metal net shield.		
STANDARD PACKING	8 PCS. PER BOX	
MASTER SHIPPER	56 PCS. PER BOX	



DESCRIPTION		P/N
FACE SCREEN EXTRA-LIGHT	Height: 190 mm	5120922
▶ Adjustable, with a spongy stripe. Metal net shield.		
STANDARD PACKING	12 PCS. PER BOX	
MASTER SHIPPER	72 PCS. PER BOX	

## Polycarbonate face shields

CE  
SCREEN EN 166-B  
MUFFS EN 352-1:1993



### DESCRIPTION

"PRO" FACE SCREEN POLYCARBONATE SHIELD

Width: 450 mm  
Thickness: 0,8 ÷ 1 mm  
Height: 190 mm

### P/N

5120916

► Professional face screen with polycarbonate shield. Heavy duty adjustable face screen with ear muffs for professional demand. SNR: 30dB.

STANDARD PACKING

2 PCS. PER BOX



MASTER SHIPPER

16 PCS. PER BOX



### SPARE PARTS

1093045 SCREEN POLYCARBONATE SHIELD  
1093073 KIT SCREW AND LOCK-RING

CE  
SCREEN EN 166-B



### DESCRIPTION

"PRO" FACE SCREEN

Width: 370 mm  
Height: 190 mm

### P/N

5120913

► Heavy duty type. Adjustable, with metal net shield. Highest safety and comfort. Extra large shield.

STANDARD PACKING

12 PCS. PER BOX



### SPARE PARTS

1093045 SCREEN POLYCARBONATE SHIELD  
1093073 KIT SCREW AND LOCK-RING

CE  
SCREEN EN 166-B



### DESCRIPTION

FACE SCREEN

Height: 190 mm  
Thickness: 0,8 ÷ 1 mm

### P/N

5120903

► Adjustable, with a spongy stripe.

STANDARD PACKING

8 PCS. PER BOX



MASTER SHIPPER

56 PCS. PER BOX



### DESCRIPTION

FACE SCREEN EXTRA-LIGHT

Height: 190 mm  
Thickness: 0,8 ÷ 1 mm

### P/N

5120921

► Adjustable, with a spongy stripe.

STANDARD PACKING

12 PCS. PER BOX



MASTER SHIPPER

72 PCS. PER BOX



## Brushcutter shoulder straps



DESCRIPTION	P/N
SINGLE SHOULDER STRAP	5150901

► Simple and comfortable strap.


STANDARD PACKING NYLON BAG - 1PC. 

MASTER SHIPPER 50 PCS. PER BOX 



DESCRIPTION	P/N
COMFORT	5150902

► Double shoulder strap with waist pad.

STANDARD PACKING NYLON BAG - 1PC. 

MASTER SHIPPER 25 PCS. PER BOX 



DESCRIPTION	P/N
COMFORT PLUS	5150903

► Double shoulder strap with waist pad. Safety quick release.

STANDARD PACKING NYLON BAG - 1PC. 

MASTER SHIPPER 20 PCS. PER BOX 



DESCRIPTION	P/N
SUPER COMFORT	5150904

► Super comfort strap with waist pad. Safety quick release.

STANDARD PACKING NYLON BAG - 1PC. 

MASTER SHIPPER 5 PCS. PER BOX 

## Blade guards



### DESCRIPTION

### P/N

BLADE GUARD - NYLON

5110901

► Blade guard, nylon. To fit shaft Ø 24 - Ø 26 - Ø 28 mm Standard.

STANDARD PACKING

NYLON BAG - 1PC.



MASTER SHIPPER

50 PCS. PER BOX



### DESCRIPTION

### P/N

BLADE GUARD - METAL SUPER

5100902

► Blade guard, metal super. To fit shaft Ø 24 - Ø 26 - Ø 28 mm.

STANDARD PACKING

NYLON BAG - 1PC.



MASTER SHIPPER

50 PCS. PER BOX



### DESCRIPTION

### P/N

BLADE GUARD - METAL

5100901

► Blade guard, metal. With adjustable rubber protection, best performance when using the nylon heads.

STANDARD PACKING

NYLON BAG - 1PC.



MASTER SHIPPER

40 PCS. PER BOX



## Blade supports



1

### DESCRIPTION

### P/N

1 BORE 8 mm

5250001

1 BORE 10 mm

5250002

2 BORE 12 mm

5250003

2 BORE 14 mm

5250004

► Blade support, metal, fix.

STANDARD PACKING

NYLON BAG - 1PC.



MASTER SHIPPER

10 PCS. PER BOX



2

## Plastic cans



DESCRIPTION	P/N
CAN L 5 + 2,5 - PROFESSIONAL TYPE	5170901

► Double use plastic can, red. High quality, light and resistant.

STANDARD PACKING	4 PCS. PER BOX	
Q.TY PER PALLET	144 PCS.	


DESCRIPTION	P/N
COMPLETE SPOUT	5170001
COMPLETE CAP	5170003

STANDARD PACKING	4 PCS. PER BOX	
------------------	----------------	---



DESCRIPTION	P/N
CAN L 5 + 2,5 - PROFESSIONAL TYPE	5170903

► Double use plastic can, white. High quality, light and resistant.

STANDARD PACKING	4 PCS. PER BOX	
Q.TY PER PALLET	144 PCS.	

DESCRIPTION	P/N
COMPLETE SPOUT	5170001
COMPLETE CAP	5170003

STANDARD PACKING	4 PCS. PER BOX	
------------------	----------------	---



DESCRIPTION	P/N
CAN L 3,650 + 1,450	5170902

► Double use plastic can, red.

STANDARD PACKING	14 PCS. PER BOX	
------------------	-----------------	---


## Plastic cans



DESCRIPTION	P/N
CAN L 5 STANDARD PACKING: NYLON BAG - 24 PCS. Q.ty PER PALLET: 240 PCS	51709001
CAN L 10 STANDARD PACKING: NYLON BAG - 14 PCS. Q.ty PER PALLET: 98 PCS	51709002

► Fuel Cans of best quality, delivered complete with flexible spout, handy and useful for professional and private users.




DESCRIPTION	P/N
COMPLETE SPOUT	K00404001
COMPLETE CAP	K00404000
STANDARD PACKING	NYLON BAG - 1 PC. 



## Funnel assy filter



DESCRIPTION	P/N
1 FUNNEL ASSY - SMALL	5175901
2 FUNNEL ASSY - MEDIUM	5175902
3 FUNNEL FILTER	5175001
STANDARD PACKING	24 PCS. PER BOX 





CHAIN SAW SPARE PARTS